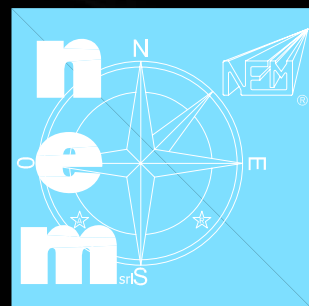


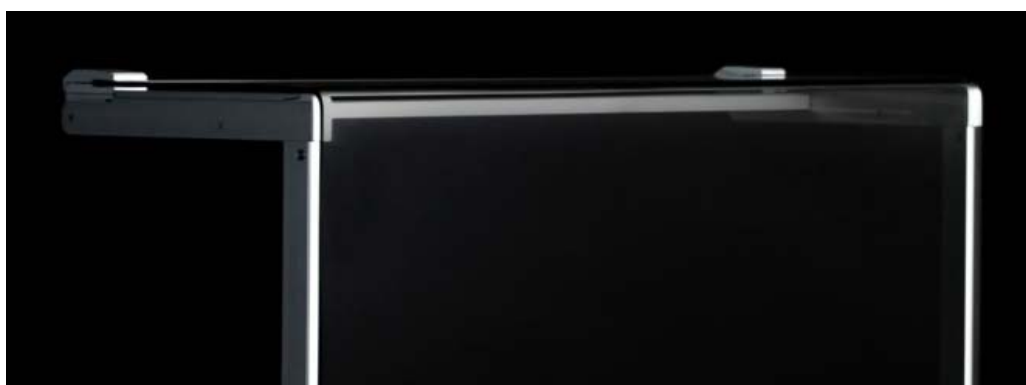
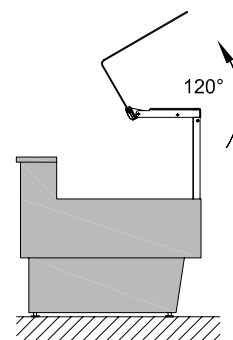
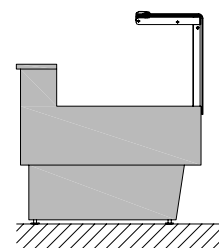
Aluminium profiles

Glass opening systems for counters and display cabinets



• System 018

1. Lift up opening system for glass 6mm
2. For use with glass "L" shaped (eg: glass R20 90°), "double curve" (Panorama), linear glass
3. The gas springs for controlling the opening of the glass are mounted inside the cases, thus avoiding any contact between the shown products and the gas springs
4. Minimalist and pleasing aesthetic impact
5. It can be mounted either with use of uprights or through direct fixing to the side panels of the counter
6. Thanks to the clamp of reduced length, this system provides excellent visibility of the product
7. Suitable for pastry shops, bakeries, ice cream shops, butchers, fishmongers' shop, delicatessens, no food



nem srl

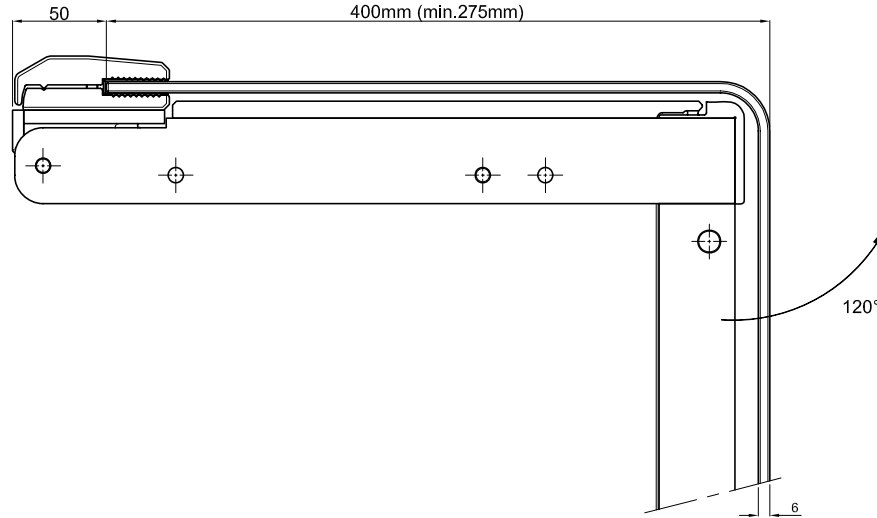
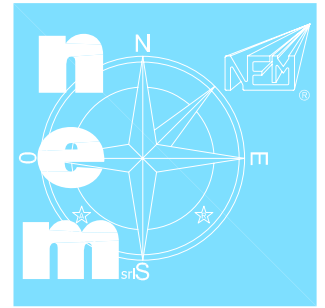
Via Redipuglia, 16 Z.I.
34070 San Pier d'Isonzo (GO) - Italy
Tel: +39 0481 70297
Fax: +39 0481 70275
Email: nem@nemsrl.it
Web: <http://www.nemsrl.it>



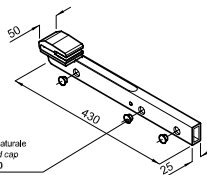
nemsrl.it

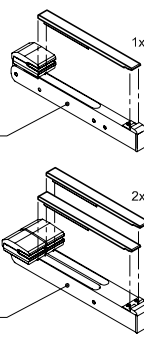
System 018

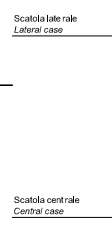
Lift up opening system
for glass 6mm

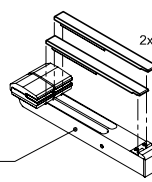


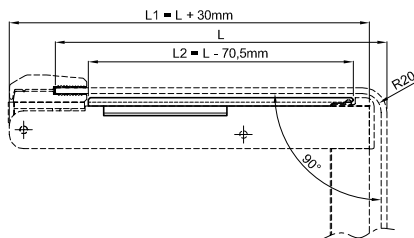
NEM 018 MAIN COMPONENTS

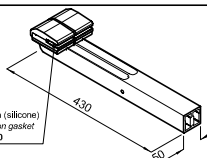

Complete semifinished Rt case w/o gas spring Cod. 018.1400
 + 1pz

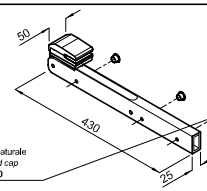

 1x Processed case cover
 L=275mm Cod. 018.1654 (*)
 L=300mm Cod. 018.1653
 L=350mm Cod. 018.1652
 L=400mm Cod. 018.1651 (*)


 1x Scatola laterale Lateral case


 2x Scatola centrale Central case

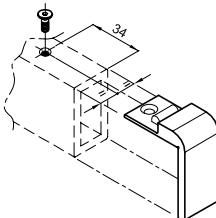

 L1 = L + 30mm
 L2 = L - 70,5mm
 R20
 80°

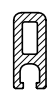

Complete semifinished Ct case w/o gas spring Cod. 018.1410
 + 2pz

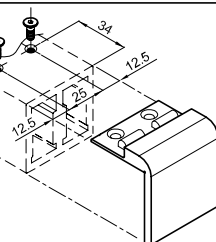

Complete semifinished Lt case w/o gas spring Cod. 018.1401
 + 1pz


Vite TCEI M6x10 Screw TCEI M 6x10 Cod. 002.0112,00
 Vite TCEI M8x35 Screw TCEI M8x 35 Cod. 002.0120,00
 Tirante montante mod.061 Tie rod mod. 061 Cod. 005.0242,00

Kit small parts for fixing case to upright Cod. 001.0552.00


Kit complete rear end cap lateral case Cod. 018.0015


Upright profile L=5000mm Cod. 061.0007


Kit complete rear end cap central case Cod. 018.0016


Lock upright gasket L=100mm Cod. 090.1199.00



nem srl

Via Redipuglia, 16 Z.I.
34070 San Pier d'Isonzo (GO) - Italy
Tel: +39 0481 70297
Fax: +39 0481 70275
Email: nem@nemsrl.it
Web: http://www.nemsrl.it



nemsrl.it