

Aluminium profiles Glass opening systems for counters and display cabinets

● System 155

1. Tilt-down opening system for flat glass mm6/8 or double glass mm18
2. Suitable for flat glass or "L" shaped glass (R20 - 90° corner)
3. Glass opening and closing movements are controlled by gas-rams that are directly installed inside the mechanics
4. Glass can be fixed using glass-clamps screwed onto the mechanics or through a front wood panel that will be openable
5. System gives the possibility to remove the front glass or paneling in only two simple operations that can be made by only one person in a few seconds. This feature makes this product extremely useful in case of ordinary and extraordinary operations, making them easy, safe and fast
6. The minimum esthetic impact and the high technology used for the system's engineering makes this product very appreciated
7. NEM 155 is a good solution for deli-cases, ice-cream and pastry shops. It can be easily installed on no-food cases, small shops cases and big distribution ones

nem srl

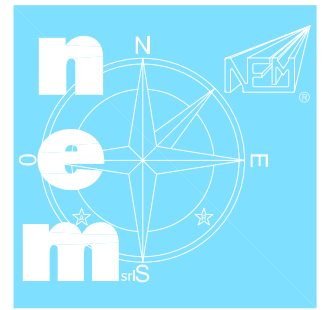
Via Redipuglia, 16 Z.I.
34070 San Pier d'Isonzo (GO) - Italy
Tel: +39 0481 70297
Fax: +39 0481 70275
Email: nem@nemsrl.it
Web: <http://www.nemsrl.it>



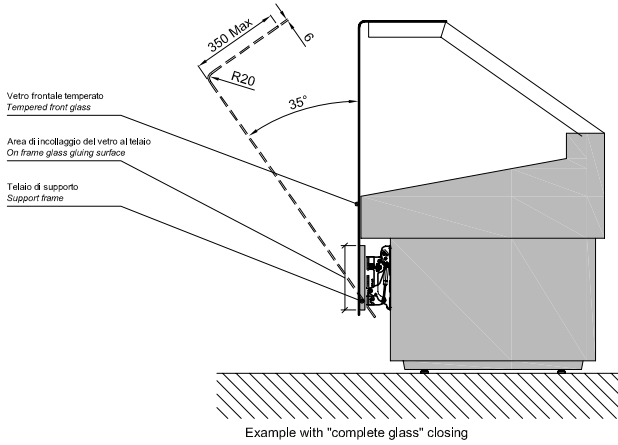
nemsrl.it

System 155

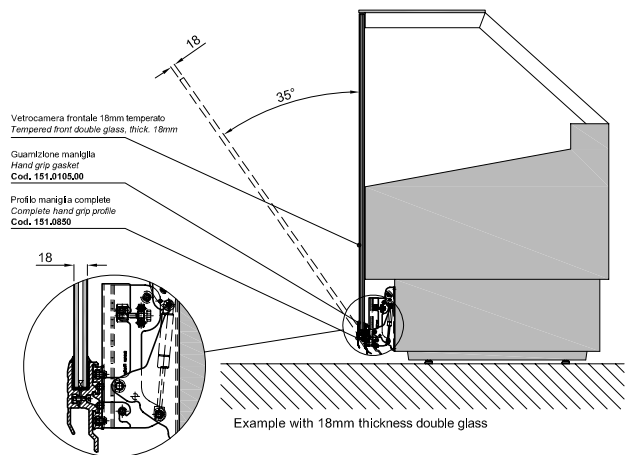
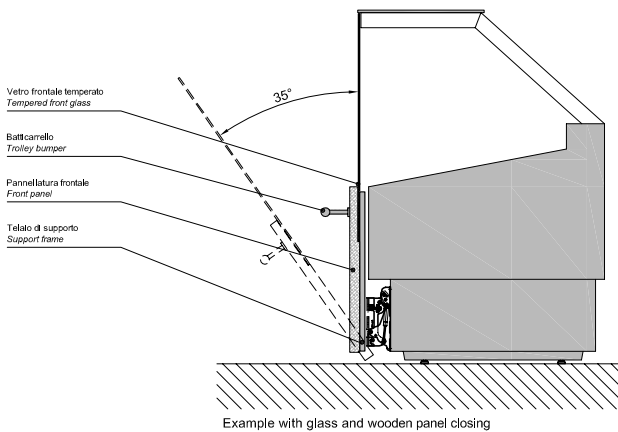
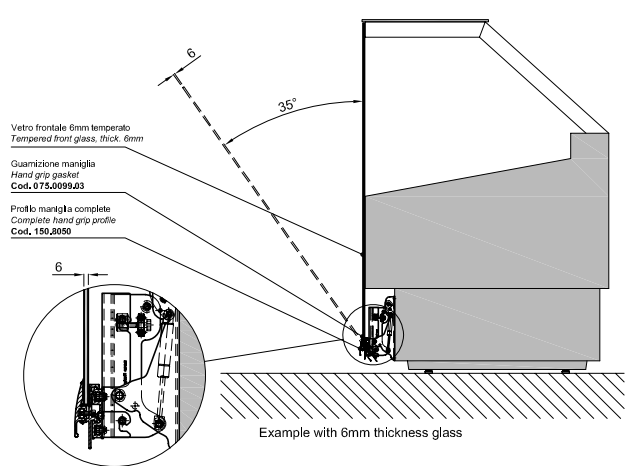
Tilt-down opening System for flat glass
mm 6/8 or double glass mm 18



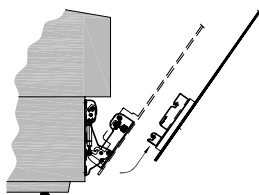
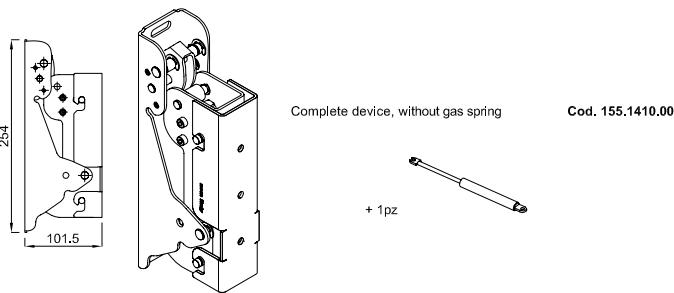
Installation with support frame



Installation with glass clamp



MAIN COMPONENTS



The coupling plate is supplied with the devices and allows quick disassembly of the entire front part (glass, panels, glass clamps...), it consents an easily access to any devices setting and comfortable maintenance operations on the showcase.



nem srl

Via Redipuglia, 16 Z.I.
34070 San Pier d'Isonzo (GO) - Italy
Tel: +39 0481 70297
Fax: +39 0481 70275
Email: nem@nemsrl.it
Web: <http://www.nemsrl.it>



nemsrl.it