



OCTOBER 2013

Copyright© 2013 NEM srl - All rights reserved

New 150 uprights!

Dear customers,
with a view to continuous research and improvement of our products we have created two new uprights for our 150model.

These uprights are realized through a mold, as the upright code 150.0035, already in our catalogue for some years.

This change has allowed us to make products with better aesthetics and, at the same time, also improving performances, while maintaining dimensions almost unchanged.



Cod.150.0039



Cod.150.0035

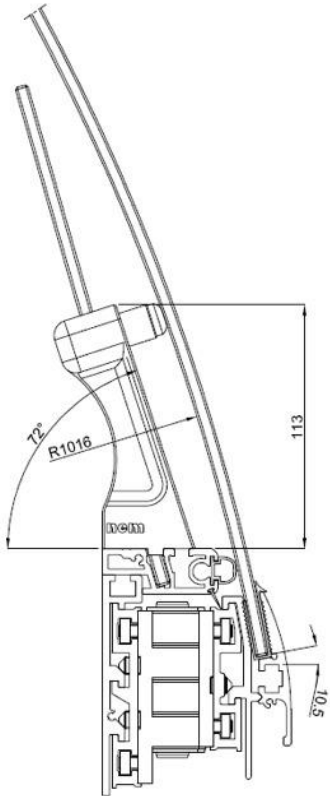


Cod.150.0037

The fixing of these uprights to our system 150 is now unified, so this change does not involve any other changes by our customers and makes it perfectly interchangeable with the other so far manufactured items with those of new production.

Nem srl – Via Redipuglia n.16 Z.I.
34070 San Pier d'Isonzo (GO) – ITALY
Tel. +39 (0481) 70297 – Fax +39 (0481) 70275
Email : nem@nemsrl.it Web : <http://www.nemsrl.it>

Here below the detail of individual upright.

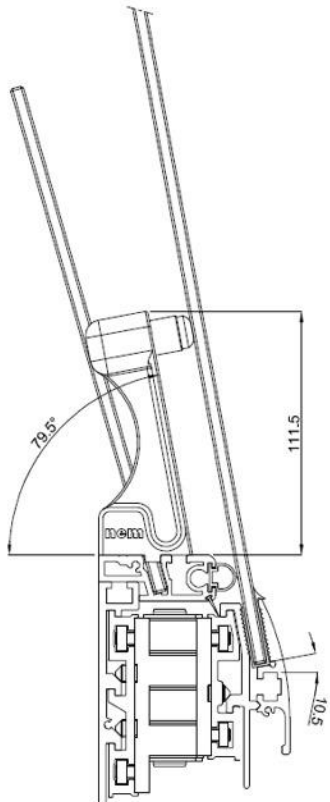


150.0039

Upright designed for curved glass with a 10.5° pitch angle (at the base) from the horizontal line.

Designed for glass with a 1016mm radius, this can be adapted to other radius with the adjustable support /hold rubber for the glass.

This item replaces code 150.0025



150.0035

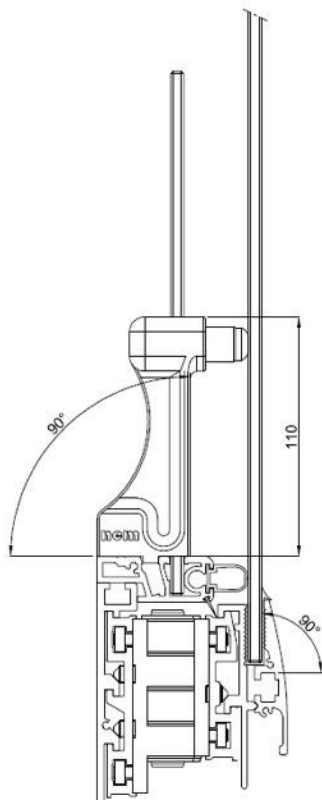
Upright designed for curved glass with a 10.5° pitch angle (at the base) from the horizontal line.

This upright is available in our catalogue since 2010, but we have improved its regulation of support /hold rubber for the glass.

150.0037

Upright designed for linear glasses that have a 90° pitch angle (at the base) from the horizontal line.

This upright has also its regulation of support /hold rubber for the glass.



This item replaces code 150.0027

These new products are already available, and will be provided with next orders and included in our catalogue at next update.

Items from the previous series, will be available only until out of stock at our warehouse.

To know the prices to you reserved regarding new items and the availability of these products as well as technical details, our sales department and our R&D department are at your disposal.

I'd kindly remind you that concerning this statement we will not replace your old serie items in your stock with new series ones.

We'd also like to inform you that NEM srl will be at next EuroShop edition as exhibitor in Düsseldorf (Germany) from February 16th to 20th 2014.



EuroShop

The World's Leading Retail Trade Fair

16 – 20 February 2014

Düsseldorf · Germany **Hall 15 Stand A 26**

One of the most important fair at an international level for the trade equipment sector, store design & architecture, display counters and refrigeration equipment.

Best regards.

Nem srl – Via Redipuglia n.16 Z.I.
34070 San Pier d'Isonzo (GO) – ITALY
Tel. +39 (0481) 70297 – Fax +39 (0481) 70275
Email : nem@nemsrl.it Web : <http://www.nemsrl.it>