



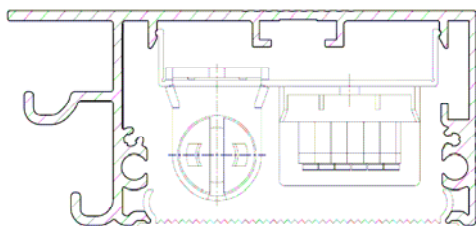
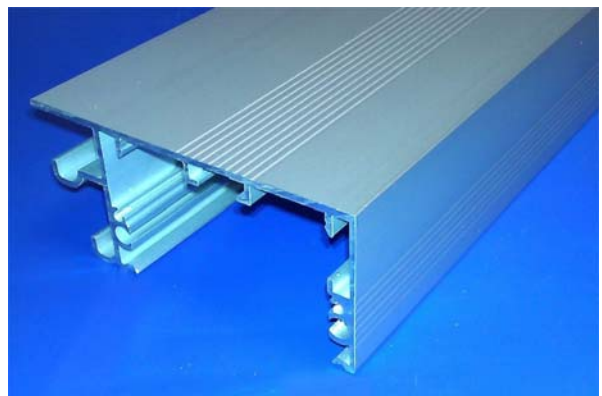
JANUARY 2013

Copyright© 2013 NEM srl - All rights reserved

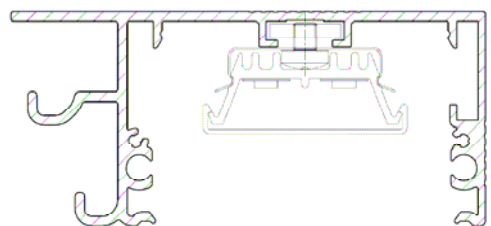
Dear Customers,

NEM srl catalogue has enriched by a new light canopy, which is not really a simple light canopy but a brand new model enclosed in a single profile.

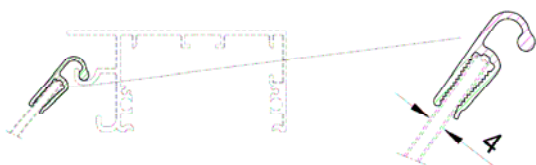
The new light canopy code **117.0800**, indeed, beside could being used with our electronics **wirings** for **T5 FLUORESCENT TUBE, mod. 067**, could be used with our **LED wirings, double stripped, mod. 095**.



T5



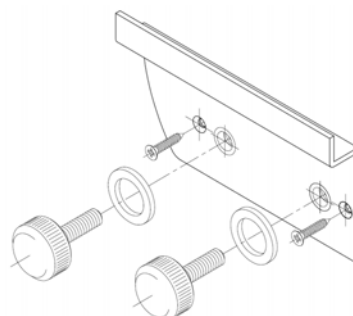
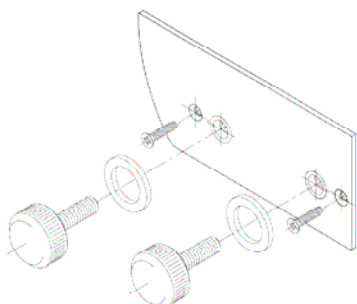
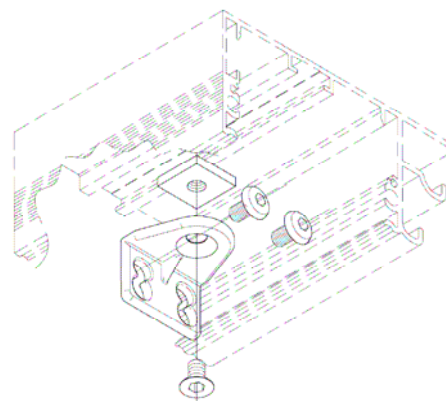
LED



On the rear part of the profile, we have made runners for plexiglass sliding panels, which could be easily clipped with our **handgrip profile for sliding panels code 064.1300.00**.

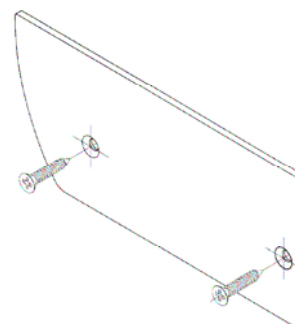
The profile includes two seats properly designed to be threaded with self-forming M6 screws, with which this light canopy profile could be easily fixed on side shoulders, whether are they in glass or other material.

Alternatively light canopy fixing could be done through our light canopy fixing kits code **001.0007.00**. This way the light canopy code **117.0800** could be installed between a couple of shelf brackets or gas spring cases.



Other fixing possibilities are given by light canopies caps code **117.1803** and **117.1804** and by holder caps **117.1802** and **117.1801**. These caps could be used to fix the light canopy to glass shoulders, when there will be the need to hide the end of the profile itself. Moreover, holder caps **117.1802** and **117.1801** are shaped in order to contain the money tray shelf.

To complete all this range, there are light canopy caps code **117.1805** and **117.1806**, which are "neutral" caps that could be used when the light canopy code **117.0800** is used and fixed in other way to what above described.



The complete catalogue of this light canopy is already available on-line and our R&D and Sales departments are glad to give you further details and/or quotations with selling condition reserved for you.